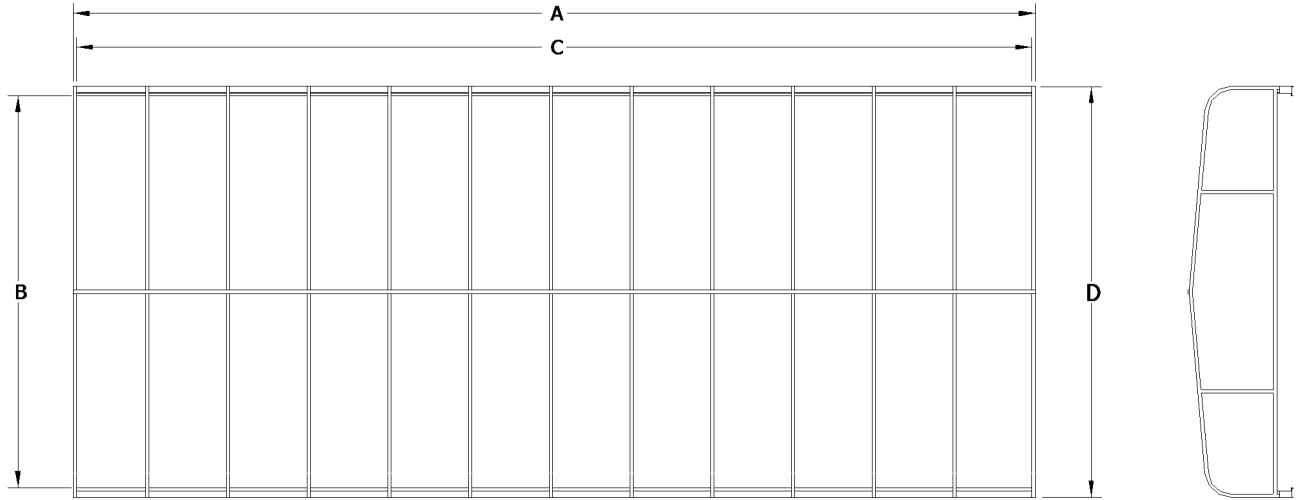


Attn: Whiskey Creek Trading

Floe Frame Specification Sheet



***ALL MEASUREMENTS (±1")**

| PART NO. | SIZE | OVERALL LENGTH "A" | INSIDE WIDTH "B" | SIDE RAIL LENGTH "C" | OUTSIDE WIDTH "D" |
|-----------|------------|--------------------|------------------|----------------------|-------------------|
| FL2000096 | 20' X 96" | 19' 10" | 102 1/2" | 19' 10" | 96 1/2" |
| FL2200096 | 22' X 96" | 21' 10" | 102 1/2" | 21' 10" | 96 1/2" |
| FL2400096 | 24' X 96" | 23' 10" | 102 1/2" | 23' 10" | 96 1/2" |
| FL2600096 | 26' X 96" | 25' 10" | 102 1/2" | 25' 10" | 96 1/2" |
| FL2000108 | 20' X 108" | 19' 10" | 108" | 19' 10" | 113 3/4" |
| FL2200108 | 22' X 108" | 21' 10" | 108" | 21' 10" | 113 3/4" |
| FL2400108 | 24' X 108" | 23' 10" | 108" | 23' 10" | 113 3/4" |
| FL2600108 | 26' X 108" | 25' 10" | 108" | 25' 10" | 113 3/4" |
| FL1200116 | 12' X 116" | 11' 10" | 116 1/2" | 11' 10" | 122 1/4" |
| FL1400116 | 14' X 116" | 13' 10" | 116 1/2" | 13' 10" | 122 1/4" |
| FL2000116 | 20' X 116" | 19' 10" | 116 1/2" | 19' 10" | 122 1/4" |
| FL2200116 | 22' X 116" | 21' 10" | 116 1/2" | 21' 10" | 122 1/4" |
| FL2400116 | 24' X 116" | 23' 10" | 116 1/2" | 23' 10" | 122 1/4" |
| FL2600116 | 26' X 116" | 25' 10" | 116 1/2" | 25' 10" | 122 1/4" |
| FL2800116 | 28' X 116" | 27' 10" | 116 1/2" | 27' 10" | 122 1/4" |
| FL3000116 | 30' X 116" | 29' 10" | 116 1/2" | 29' 10" | 122 1/4" |
| FL2200120 | 22' X 120" | 21' 10" | 120 1/2" | 21' 10" | 126 1/4" |
| FL2400120 | 24' X 120" | 23' 10" | 120 1/2" | 23' 10" | 126 1/4" |
| FL2600120 | 26' X 120" | 25' 10" | 120 1/2" | 25' 10" | 126 1/4" |
| FL2800120 | 28' X 120" | 27' 10" | 120 1/2" | 27' 10" | 126 1/4" |
| FL3000120 | 30' X 120" | 29' 10" | 120 1/2" | 29' 10" | 126 1/4" |
| FL3200120 | 32' X 120" | 31' 10" | 120 1/2" | 31' 10" | 126 1/4" |
| FL3400120 | 34' X 120" | 33' 10" | 120 1/2" | 33' 10" | 126 1/4" |

ATTACHMENT

3\$"Uk g" Tgrgcug"Erkr u wrap around vj g"ukf gu"

Velcro straps wrap around the bottom of the end frame

STANDARD VALANCE: 11" VALANCE

OUTSIDE DIMENSIONS

- A _____ OVERALL LENGTH OF FRAME
- B _____ INSIDE WIDTH OF FRAME
- C _____ LENGTH OF SIDE RAILS (W/O ENDS)
- D _____ OUTSIDE WIDTH OF FRAME

CONTACT INFORMATION

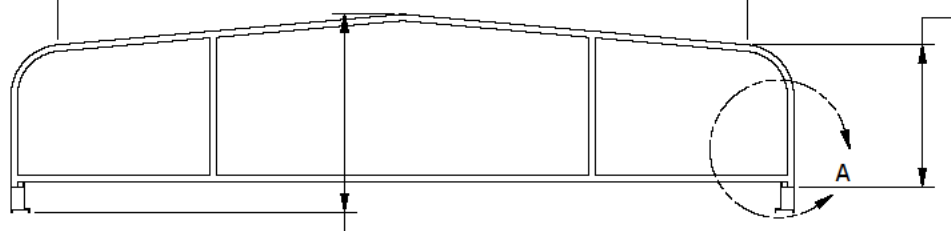
Name _____
 Address _____
 City _____ State _____ Zip _____
 Phone _____ Fax _____

NOTES

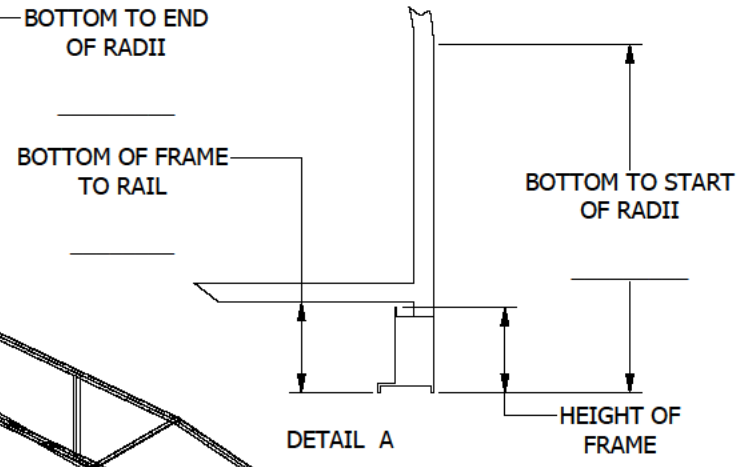
****If dimensions don't match above, fill out detail sheet on page 2****

| REVISIONS | | | | |
|-----------|----------|-----------|-------------|--------|
| REV | ECN | DATE | DESCRIPTION | ISSUER |
| A | EC-00469 | 10/3/2016 | RELEASE | RML |

DISTANCE BETWEEN RADII



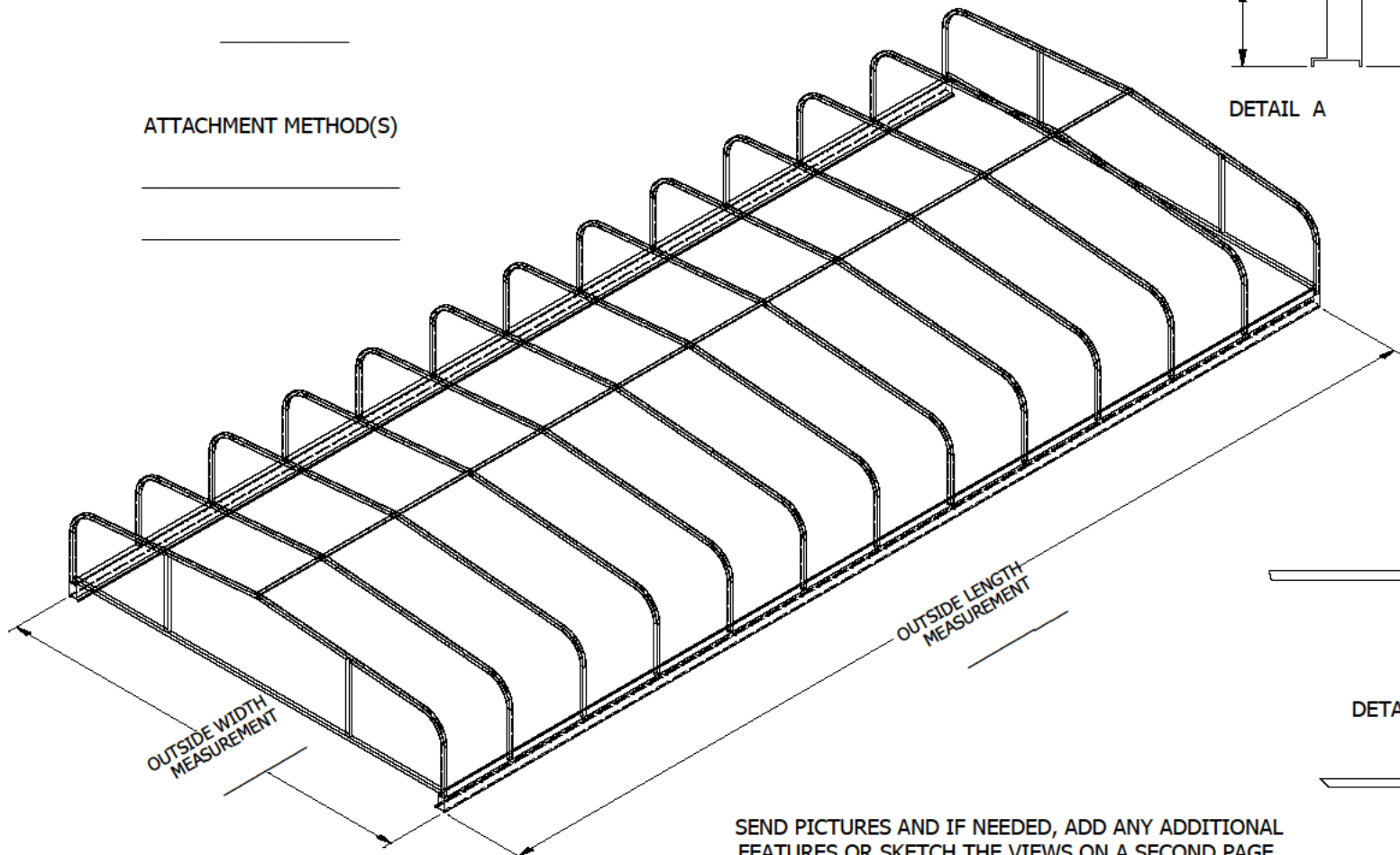
HEIGHT FROM BOTTOM OF FRAME TO PEAK
END VIEW



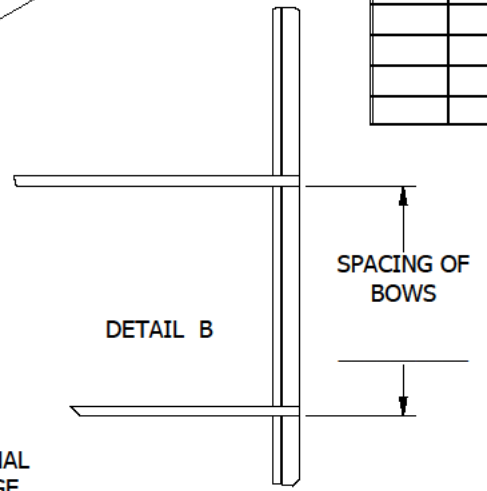
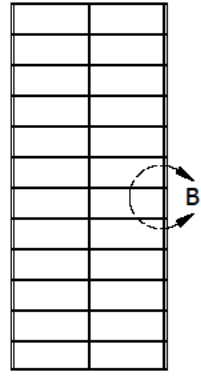
ATTACHMENT METHOD(S)



DETAIL A



TOTAL NUMBER OF BOWS



SEND PICTURES AND IF NEEDED, ADD ANY ADDITIONAL FEATURES OR SKETCH THE VIEWS ON A SECOND PAGE.

TOLERANCES - UNLESS NOTED
DECIMAL ±
FRACTION ±
ANGLE ±
NOTICE



1314 Walnut St. - Springfield, SD 57062 605-369-6000

THIS ILLUSTRATION IS THE PROPERTY OF RUSH-CO, AND MUST NOT BE USED IN ANY WAY DETRIMENTAL TO RUSH-CO'S INTERESTS.

| | | |
|---|--------------------|------------------|
| TITLE: PEAKED RAISED END FRAME DETAIL SHEET | | SIZE C |
| DRFT: RML | DATE 6/6/2008 | SHEET 1/1 |
| ENGR: CWG | DATE 10/10/2016 | |
| PART NO: F-141 | | |